

PART NAME

NEMA 4X DIE CAST ALUMINUM ENCLOSURE

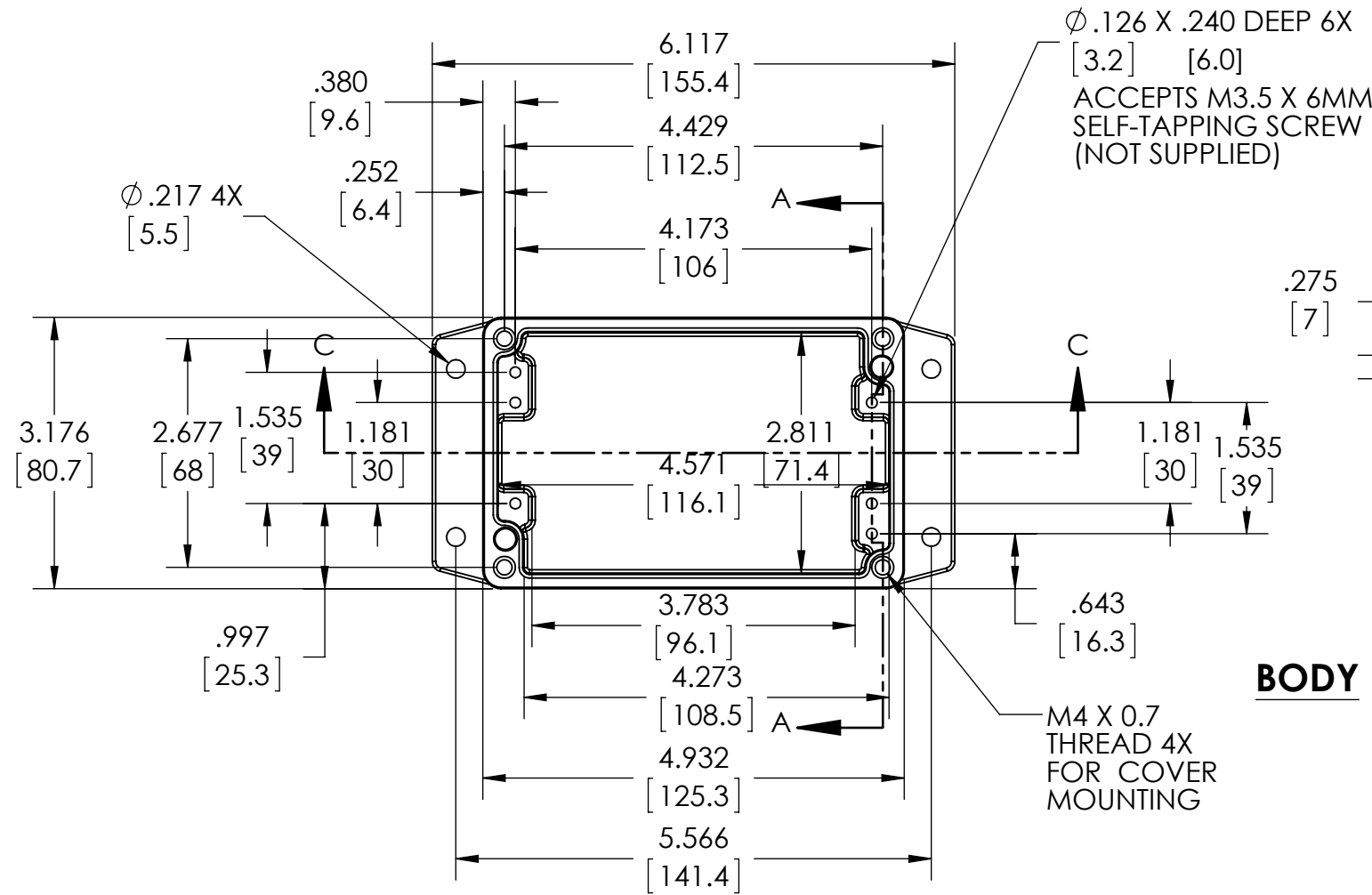
PART No.

AN-2863

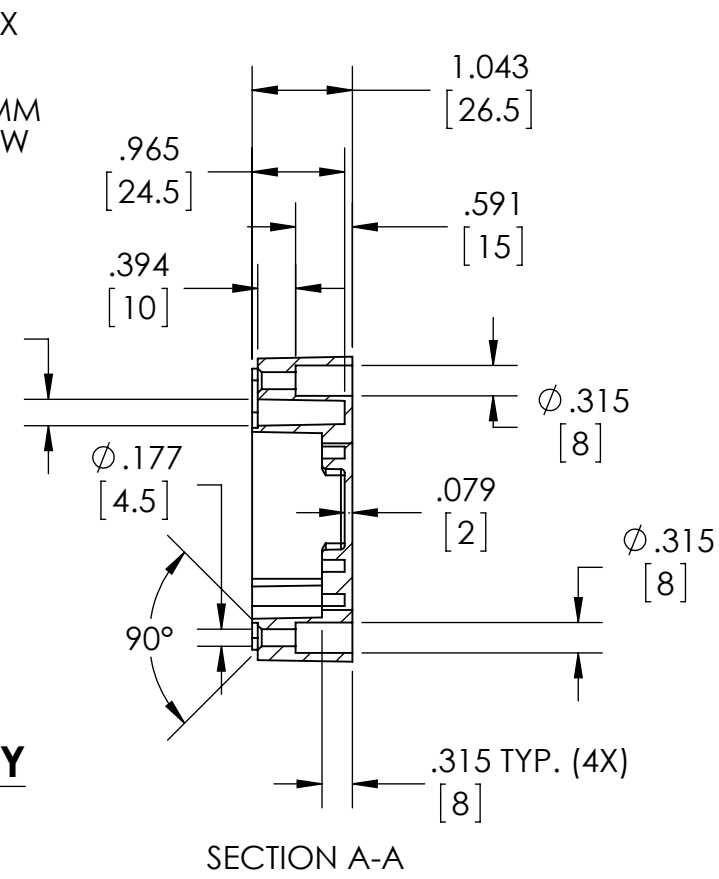
AN-2863-B

REVISION DATE

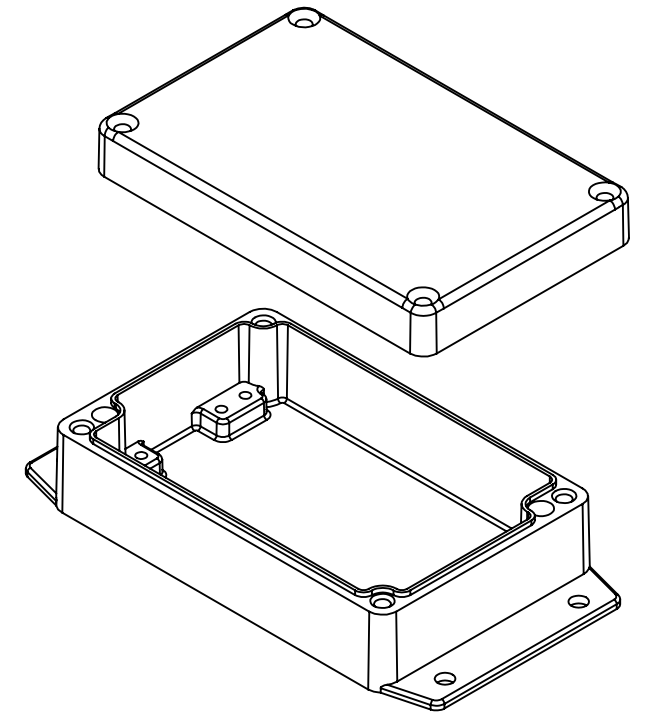
3-19-14



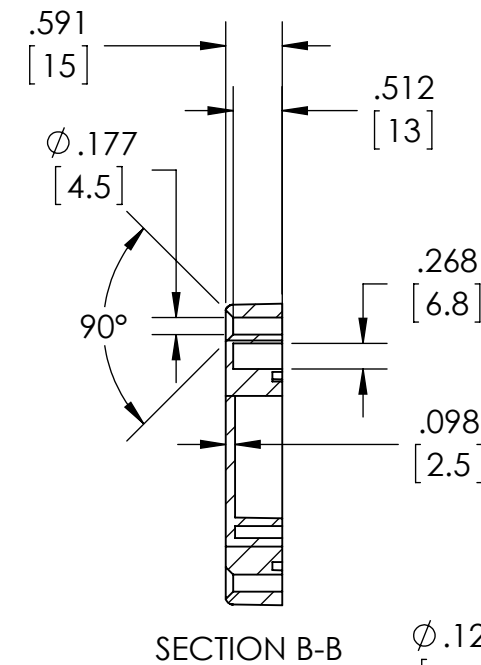
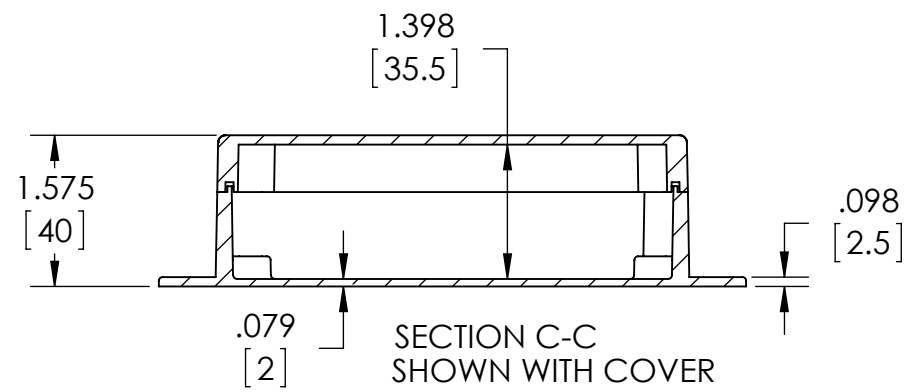
BODY



SECTION A-A



- NOTES:
- 1- MATERIAL: ALUMINUM ALLOY ADC-12
 - 2- FINISH: NATURAL (NO SUFFIX) BLACK (SUFFIX -B)
 - 3- FOUR (4) M4 X 0.7mm SCREWS SUPPLIED FOR ASSEMBLY OF COVER TO BODY
 - 4- ALL HOLE DIAMETERS HAVE $\pm .005$ [12] TOLERANCE. ALL OTHER DIMENSIONS HAVE $\pm .015$ [38] TOLERANCE.
 - 5- ALL OUTSIDE DRAFT ANGLE: 1° ALL INSIDE DRAFT ANGLE: 1/2°
 - 6- DIMENSIONS ARE INCH[MM]



SECTION B-B

COVER

